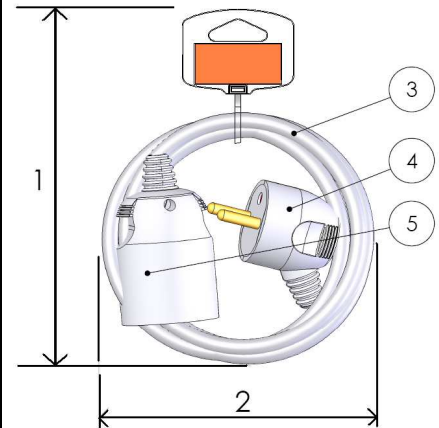
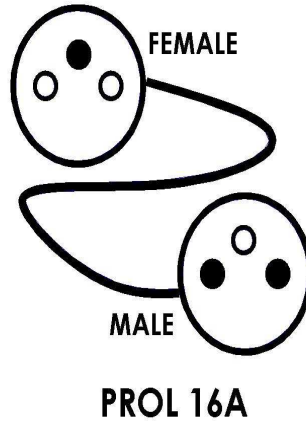


B.P. 80051 - Z.I. LE MOULIN
80210 FEUQUIERES EN VIMEU**Rallonge 10m H05VV-F 3G1,5 16A 2P+T Gris avec crochet****PRODUCT**

U / volts: 250
I / ampères: 16
CE: No
NF: Yes
Normes:
NF C 61-314

IP:
IK:
HOOK
CAVALIER VERSION 2
PANTONE 2746C

1 220mm
2 180mm
3 H05VV-F 3G1,5 10m
4 MALE 16A 2P+T
5 FEMALE 16A 2P+T
6 GREY RAL 7001

RoHS: No
DEEE: No

UNIT PACKAGING

Type: Bulk Quantity: 1
Customer sticker: No
Leaflet: No
Sticker on piece: Yes Name of the file: 335262.PDF

Bar code: 3142183352624

L: 170
H: 220
P: 70

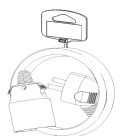
INNER BOX PCB

Type: Bag Quantity: 5
Plastic bag sticker: Yes Name of the file: 335262 BAG STICKER.PDF
Sticker:
Box drawing:
Box print:
Box sticker:

CARTON

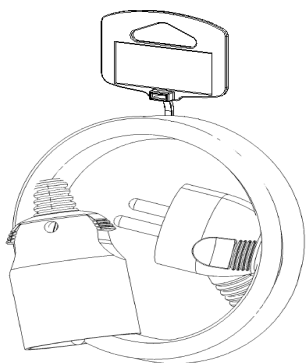
Type: Box
Quantity: 3 x 5 = 15 Pcs
Length: 400 mm
Width: 400 mm
Height: 260 mm
Weight: 18.6 Kg
Sticker: Yes Name of the file: 335262 SENDING STICKER.PDF

DEBFLEX
PROLONGATEUR
Rallonge 10m H05VV-F
3G1,5 16A 2P+T Gris
Quantité:5
Code:335262



335262 BAG STICKER.PDF

DEBFLEX



PROLONGATEUR
Rallonge 10m H05VV-F
3G1,5 16A 2P+T Gris
UVC : (3X5)= 15Pcs
Poids: 18.6Kg
Code article:335262

